

# **User's Manual**

## **20L Mechanical Microwave Oven**

Before using your product, please read this manual carefully and keep it for future reference.



# PRECAUTIONS TO AVOID POSSIBLE EXPOSURE TO EXCESSIVE MICROWAVE ENERGY

---

- a. Do not attempt to operate this oven with the door open since this can result in harmful exposure to microwave energy. It is important not to break or tamper the safety locks.
- b. Make sure that no item will be placed between the door and the oven cavity that may prevent the door from being closed.
- c. **WARNING:** If the door or door seals are damaged, the oven must not be operated until it has been repaired by a qualified person.

## APPENDUM

If the microwave oven is not maintained properly, its lifespan may be affected. Keep the microwave oven always clean.

## SPECIFICATIONS

Model Number:	FP-61MMV020LMSM-S1/B1	FP-61MMV020LMTL-W1
Rated Voltage:	230V~60Hz	230V~60Hz
Rated Input Power (Microwave):	1050W	1050W
Rated Output Power (Microwave):	700W	700W
Oven Capacity:	20L	20L
Turntable Diameter:	255mm	255mm
External Dimensions:	440 x 340 x 259mm	440 x 341 x 259mm
Net Weight (Approx):	9.91kg	10.3kg

# IMPORTANT SAFETY INSTRUCTIONS

---

## WARNING

To reduce the risk of fire, electric shock, injury or exposure to excessive microwave oven energy when using your appliance, follow basic precautions, including the following:

1. **Warning:** Liquids and other food must not be heated in sealed containers since they are liable to explode.
2. **Warning:** It is hazardous for anyone, other than a qualified person, to carry out any service or repair operation that involves the removal of a cover which gives protection against exposure to microwave energy.
3. The appliance is not intended for use by individuals (including children) with reduced physical, sensory or mental capabilities or lack of experience and knowledge, unless they are supervised and given instruction by a person responsible for their safety.
4. Keep the appliance and its cord out of reach of children.
5. Only use utensils suitable for microwave ovens.
6. The oven should be cleaned regularly and all leftover food should be removed.
7. Read and follow the specific section:  
"PRECAUTIONS TO AVOID POSSIBLE EXPOSURE TO EXCESSIVE MICROWAVE ENERGY".
8. When heating food in plastic or paper containers, keep an eye on the oven, due to the possibility of ignition.
9. If smoke is emitted, switch off or unplug the appliance and keep the door closed in order to stifle any flames.
10. Do not overcook food.
11. Do not use the oven cavity for storage purposes. Do not store items, such as bread, cookies, etc. inside the oven.
12. Remove wire twist ties and metal handles from paper or plastic containers / bags before placing them in the oven.
13. Install or locate this oven only in accordance with the installation instructions provided.
14. Eggs in the shell and whole hard-boiled eggs should not be heated in microwave ovens since they may explode, even after microwave heating has ended.
15. This appliance is intended to be used in household and similar applications such as:
  - staff kitchen areas in shops, offices and other working environments
  - in hotels, motels and other residential type environments
  - farm houses
  - bed and breakfast type environments
16. If the supply cord is damaged, it must be replaced by the manufacturer, its service agent or similarly qualified persons, in order to avoid hazard.
17. Do not store or use this appliance outdoors.
18. Do not use this oven near water, in a wet basement or near a swimming pool.

- 
19. The temperature of accessible surfaces may be high when the appliance is operating. The surfaces are liable to get hot during use. Keep cord away from heated surface and do not cover any vents on the oven.
  20. Do not let cord hang over edge of table or counter.
  21. Failure to maintain the oven in a clean condition could lead to deterioration of the surface that could adversely affect the life of the appliance and possibly result in a hazardous situation.
  22. The contents of feeding bottles and baby food jars shall be stirred or shaken and the temperature checked before consumption, in order to avoid burns.
  23. Microwave heating of beverages can result in delayed eruptive boiling, therefore care must be taken when handling the container.
  24. Young children should be supervised to ensure that they do not play with the appliance.
  25. This appliance is not intended to be operated by means of an external timer or separate remote-control system.
  26. Accessible parts may become hot during use. Young children should be kept away.
  27. Steam cleaner is not to be used.
  28. Only use the temperature probe recommended for this oven (for ovens provided with a facility to use a temperature-sensing probe).
  29. **Warning:** The appliance and its accessible parts become hot during use. Care should be taken to avoid touching heating elements. Children shall be kept away unless continuously supervised.
  30. The microwave oven must be operated with the decorative door open (for ovens with a decorative door).
  31. The rear surface of appliance shall be placed against a wall.
  32. The microwave oven shall not be placed in a cabinet unless it has been tested for use in cabinets.
  33. **Warning:** Only allow children to use the oven without supervision when adequate instructions have been given so that the child is able to use the oven in a safe way and understands the hazards of improper use.
  34. The microwave oven must not be placed in a cabinet.
  35. The microwave oven is intended for heating food and beverages. Drying of food or clothing and heating of warming pads, slippers, sponges, damp cloth and similar may lead to risk of injury, ignition or fire.
  36. Metallic containers for food and beverages are not allowed during microwave cooking.

## TO REDUCE THE RISK OF INJURY TO PERSONS

### DANGER

#### Electric Shock Hazard

Touching some of the internal components can cause serious personal injury or death. Do not dismantle this appliance.

---

## **WARNING**

1. Electric Shock Hazard: Improper use of the grounding can result in electric shock. Do not plug into an outlet until appliance is properly installed and grounded.
2. This appliance must be grounded. In the event of an electrical short circuit, grounding reduces the risk of electric shock by providing an escape wire for the electric current.
3. This appliance is equipped with a cord having a grounding wire with a grounding plug. The plug must be plugged into an outlet that is properly installed and grounded.
4. Consult a qualified electrician or serviceman if the grounding instructions are not completely understood or if doubt exists as to whether the appliance is properly grounded. If it is necessary to use an extension cord, use only a 3-wire extension cord.
5. A short power supply cord is provided to reduce risks of tripping over a long cord.
6. If a long cord set or extension cord is used:
  - a. The marked electrical rating of the cord set or extension cord should be at least the same as the electrical rating of the appliance.
  - b. The extension cord should be a grounding type 3-wire cord.
  - c. The long cord should be arranged so that it will not drape over the counter top or tabletop where it can be pulled by children or tripped over unintentionally.

## **CLEANING**

Be sure to unplug the appliance from the power supply.

1. After using the microwave oven, always clean the cavity with a slightly damp cloth.
2. Clean accessories using water and soap.
3. Door frame, seal and other parts must be carefully cleaned using damp cloth.
4. Do not use harsh abrasive cleaners or sharp metal scrapers to clean the oven door glass, to avoid scratching the surface which may result in shattering of the glass.
5. Cleaning tip for easier cleaning of the cavity walls:
  - Place half a lemon in a bowl with water (300 ml or 1/2 pint).
  - Heat on 100% microwave power for 10 minutes.
  - Wipe the oven using soft, dry cloth.

## **UTENSILS**

### **CAUTION**

#### **Personal Injury Hazard**

It is hazardous for individuals other than a qualified person to carry out any service or repair operation that involves the removal of the cover which gives protection against exposure to microwave energy.

---

There may be certain non-metallic utensils that are not safe to use with the microwave. If in doubt, you can test the utensil in question following the procedure below.

**UTENSIL TEST:**

1. Fill a microwave-safe container with 1 cup of cold water (250ml) along with the utensil in question.
2. Cook on maximum power for 1 minute.
3. Carefully feel the utensil. If the utensil is warm, do not use it for microwave cooking.
4. Do not exceed 1 minute cooking time.

**MATERIALS YOU CAN USE IN MICROWAVE OVEN:**

<b>Utensils</b>	<b>Remarks</b>
Aluminum Foil	Shielding only. Small smooth pieces can be used to cover thin parts of meat or poultry to prevent overcooking. Arcing can occur if foil is too close to oven walls. The foil should be at least 1 inch (2.5cm) away from oven walls.
Browning Dish	Follow manufacturer's instructions. The bottom of browning dish must be at least 3/16 inch (5mm) above the turntable. Incorrect usage may cause the turntable to break.
Dinnerware	Microwave-safe only. Follow manufacturer's instructions. Do not use cracked or chipped dishes.
Glass Jars	Always remove lid. Use only to heat food until just warm. Most glass jars are not heat resistant and may break.
Glassware	Heat-resistant oven glassware only. Make sure there is no metallic trim. Do not use cracked or chipped dishes
Oven Cooking Bags	Follow manufacturer's instructions. Do not close with metal tie. Make slits to allow steam to escape.
Paper Plates and Cups	Use for short-term cooking/warming only. Do not leave oven unattended while cooking.
Paper Towels	Use to cover food for reheating and absorbing fat. Use with supervision for a short-term cooking only.
Parchment Paper	Use as a cover to prevent splattering or use as a wrap for steaming
Plastic	Microwave-safe only. Follow the manufacturer's instructions. Should be labeled "Microwave Safe". Some plastic containers soften as the food inside gets hot. "Boiling bags" and tightly closed plastic bags should be slit, pierced or vented as directed by package.

---

## MATERIALS TO BE AVOIDED IN MICROWAVE OVEN:

Utensils	Remarks
Plastic Wrap	Microwave-safe only. Use to cover food during cooking to retain moisture. Do not allow plastic wrap to touch food.
Thermometers	Microwave-safe only (meat and candy thermometers).
Wax Paper	Use as a cover to prevent splattering and to retain moisture.
Aluminum Tray	May cause arcing. Transfer food into microwave-safe dish.
Food Carton w/ Metal Handle	May cause arcing. Transfer food into microwave-safe dish.
Metal or Metal - Trimmed Utensils	Metal shields the food from microwave energy. Metal trim may cause arcing.
Metal Twist Ties	May cause arcing and could cause a fire in the oven.
Paper Bags	May cause a fire in the oven.
Plastic Foam	Plastic foam may melt or contaminate the liquid inside when exposed to high temperature.
Wood	Wood will dry out when used in the microwave oven and may split or crack.

---

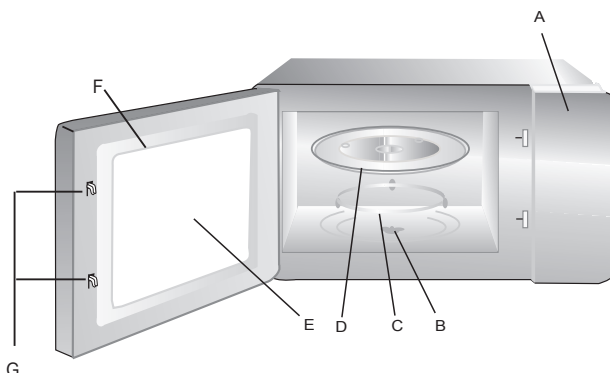
## SETTING UP YOUR MICROWAVE

### OVEN PARTS AND ACCESORIES

Remove the oven and all materials from the carton and oven cavity. Your oven comes with the following accessories:

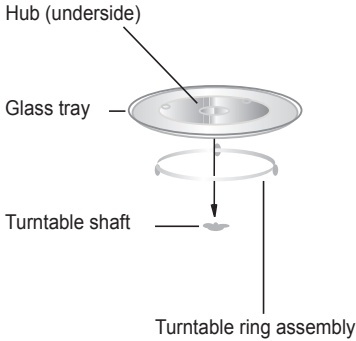
- 1 Glass Tray
- 1 Turntable Ring Assembly
- 1 Instruction Manual

- A) Control Panel
- B) Turntable Shaft
- C) Turntable Ring Assembly
- D) Glass Tray
- E) Observation Window
- F) Door Assembly
- G) Safety Interlock System



---

## TURNTABLE INSTALLATION



### Installation

- Never place the glass tray upside down. The glass tray should never be restricted.
- Both glass tray and turntable ring assembly must always be used during cooking.
- All food and containers of food are always placed on the glass tray for cooking.
- If glass tray or turntable ring assembly cracks or breaks, contact your nearest authorized service center.

## COUNTERTOP INSTALLATION

Remove all packing material and accessories. Examine the oven for any damage such as dents or broken door. Do not install if oven is damaged.

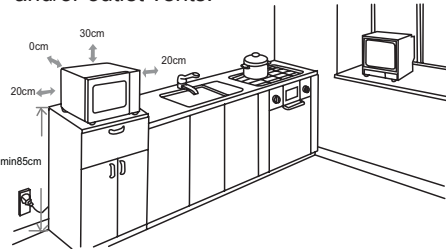
**Cabinet:** Remove any protective film found on the microwave oven cabinet surface.

**Do not remove the light brown Mica cover that is attached to the oven cavity to protect the magnetron.**

---

## INSTALLATION

1. Select a level surface that provides enough open space for the intake and/or outlet vents.



- The minimum installation height is 85cm.
- The rear surface of appliance shall be placed against a wall. Leave a minimum clearance of 30cm above the oven, a minimum clearance of 20cm is required between the oven and adjacent walls.
- Do not remove the legs from the bottom of the oven.

d. Blocking the intake and/or outlet openings can damage the oven.

e. Place the oven as far away from radios and TV as possible. Operation of microwave oven may cause interference to your radio or TV reception.

2. Plug your oven into a standard household outlet. Be sure that the voltage and the frequency is the same as the voltage and the frequency on the rating label.

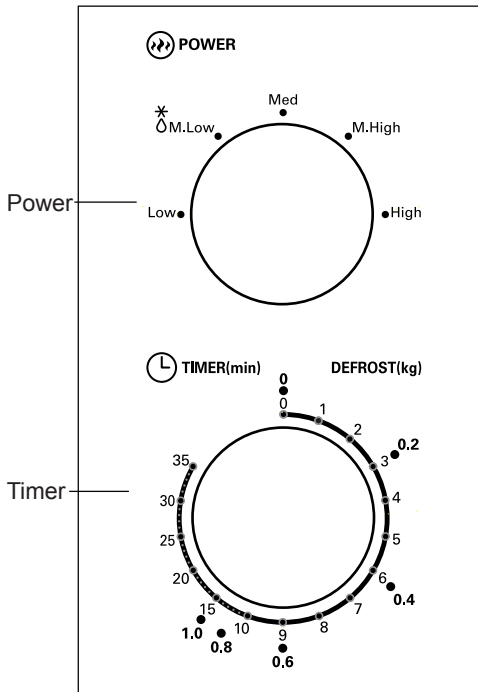
**WARNING:** Do not install oven over a range cooktop or other heat-producing appliance. If installed near or over a heat source, the oven could be damaged and the warranty would be void.



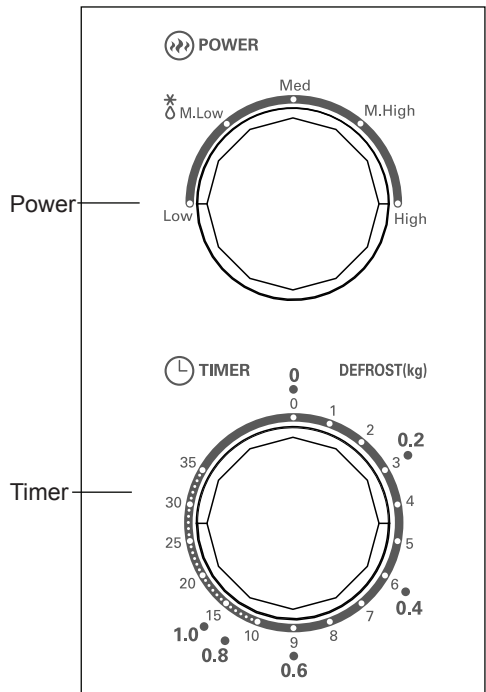
# OPERATION INSTRUCTION

## CONTROL PANEL AND FEATURES

FP-61MMV020LMSM-S1/B1



FP-61MMV020LMTL-W1



1. Set cooking power by turning the power knob to desired level.
2. The microwave oven will automatically start cooking after power level and time are set.
3. The microwave will alarm after the cooking time.
4. If the unit is not in use, always set time to "0".

Function/Power	Output	Application
Low	17% micro.	Soften ice cream
Med. Low (Defrost)	33% micro.	Soup stew, soften butter or defrost
Med.	55% micro.	Stew, fish
Med. High	77% micro.	Rice, fish, chicken, ground meat
High	100% micro.	Reheat, milk, boil water, vegetables, beverage

Notice: When removing food from the oven, please ensure that the oven power is switched off by turning the timer switch to 0 (zero). Failure to do so, and operating the microwave oven without food in it, can result in overheating and damage to the magnetron.

## TROUBLESHOOTING

<b>Normal</b>	
Microwave oven interfering TV reception	Radio and TV reception may be interfered when microwave oven is operating. It is similar to the interference of small electrical appliances like mixer, vacuum cleaner and electric fan. It is normal.
Dim oven light	In low power microwave cooking, oven light may become dim. It is normal.
Steam accumulating on door, hot air out of vents	In cooking, steam may come out of food. Most will get out from vents. But some may accumulate on cool place like oven door. It is normal.
Oven started accidentally with no food in	It is forbidden to run the unit without any food inside. It is very dangerous.

<b>Trouble</b>	<b>Possible Cause</b>	<b>Remedy</b>
Oven cannot be started	(1) Power cord is not plugged properly	Unplug then plug again after 10 seconds
	(2) Fuse blowing or circuit breaker tripped	Replace fuse or reset circuit breaker (repaired by professional personnel)
	(3) Trouble with outlet	Test outlet with other electrical appliances
Oven does not heat	(4) Door not closed properly	Close door properly
Glass turntable makes noise when microwave oven operates	(5) Dirty roller rest and oven bottom	Refer to "Maintenance of Microwave" to clean dirty parts

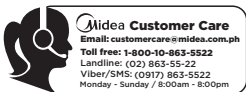




The design and specifications are subject to change without prior notice for product improvement. Consult with your dealer or manufacturer for details.



CONCEPCION MIDEA INC.



**Midea Customer Care**  
Email: [customer.care@midea.com.ph](mailto:customer.care@midea.com.ph)  
Toll free: 1-800-10-863-5522  
Landline: (02) 863-55-22  
Viber/SMS: (0917) 863-5522  
Monday - Sunday / 8:00am - 8:00pm

For more information, please visit our website [www.midea.com.ph](http://www.midea.com.ph)